

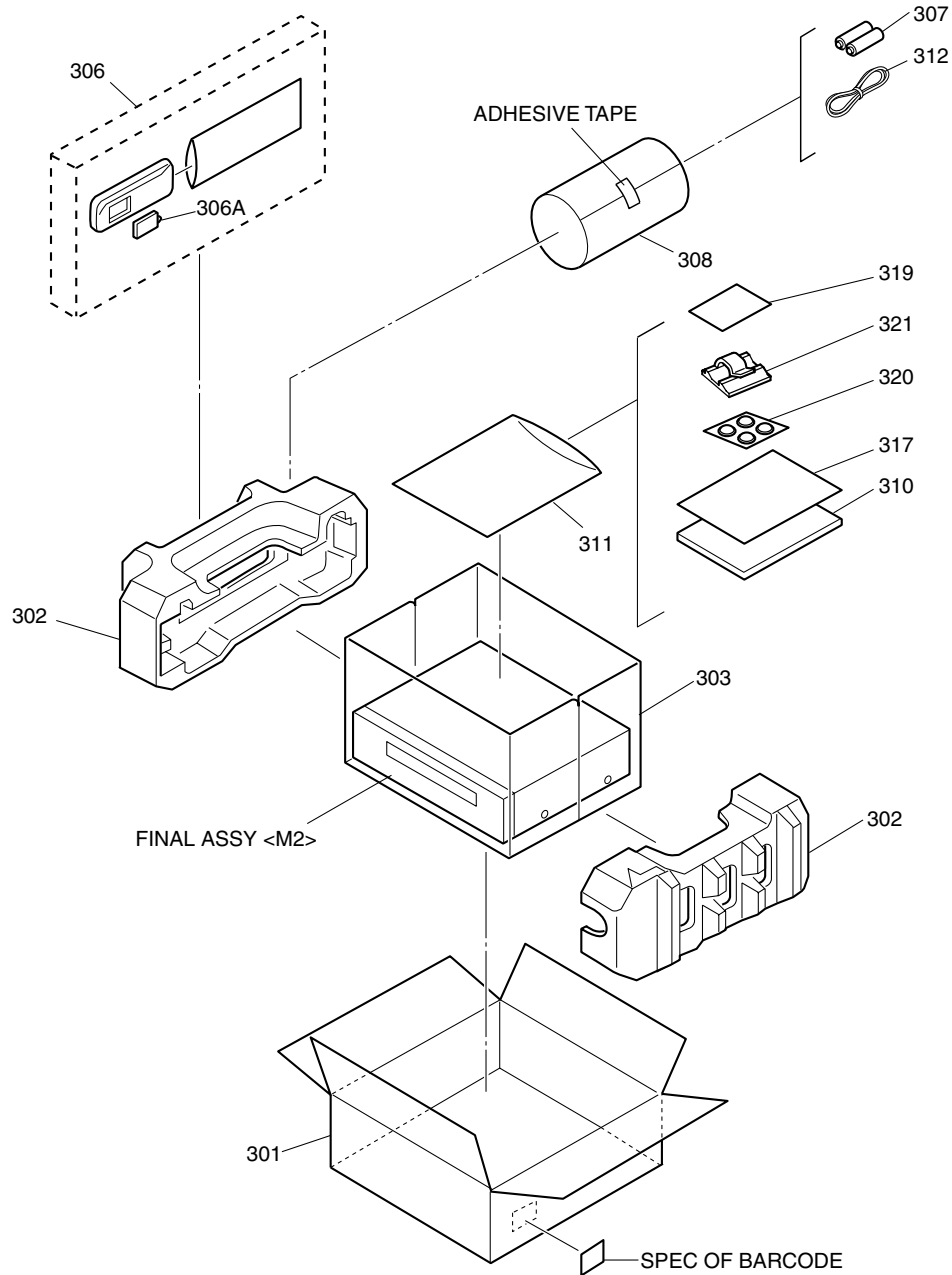
SECTION 5 PARTS LIST

SAFETY PRECAUTION

Parts identified by the \triangle symbol are critical for safety. Replace only with specified part numbers.

5.1 PACKING AND ACCESSORY ASSEMBLY <M1>

The instruction manual to be provided with this product will differ according to the destination.



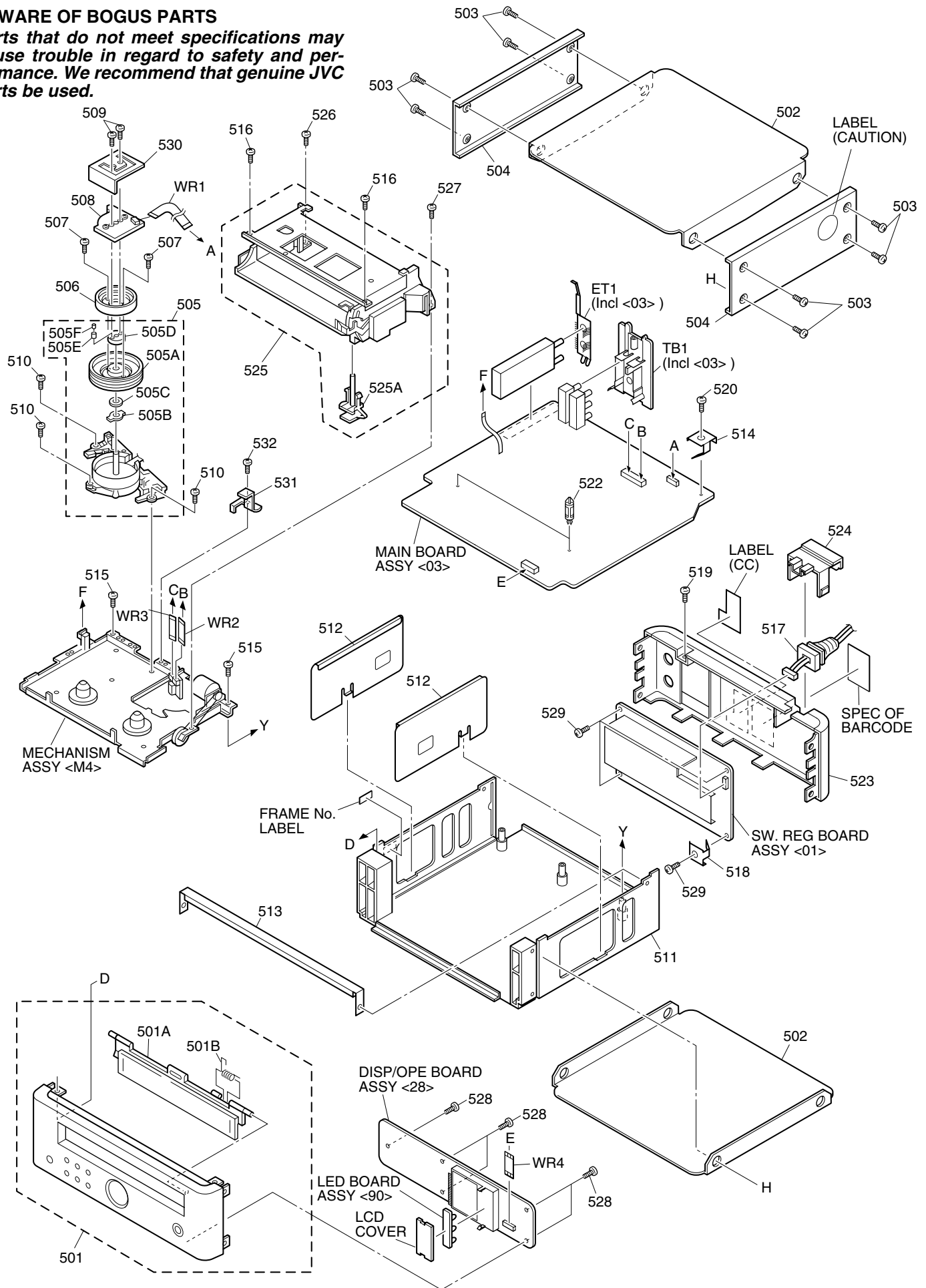
# \triangle	REF No.	PART No.	PART NAME, DESCRIPTION	# \triangle	REF No.	PART No.	PART NAME, DESCRIPTION

PACKING AND ACCESSORY ASSEMBLY <M1>							
	301	LP30886-001A	PACKING CASE		308	QPC02202230P	POLY BAG
	302	LP30794-001C	CUSHION ASSY	\triangle	310	LPT0510-001B	INST.BOOK(EN)
	303	PQM30021-102	POLY BAG	\triangle		LPT0510-002B	INST.BOOK(FR)
	306	LP20303-017A	REMOTE CONTROLLER		311	QPC02503530P	POLY BAG
	306A	LP40225-003A	COVER(BATTERY)		312	PEAC0294-04	RF CABLE
	307	-	BATTERY,X2("AA"TYPE)		317	BT-51020-2	REGIST.CARD
					319	LP40744-001A	SHEET(W/F)
					320	LP40742-001A	FOOT
					321	LP40743-001A	WIRE CLAMP

5.2 FINAL ASSEMBLY <M2>

BEWARE OF BOGUS PARTS

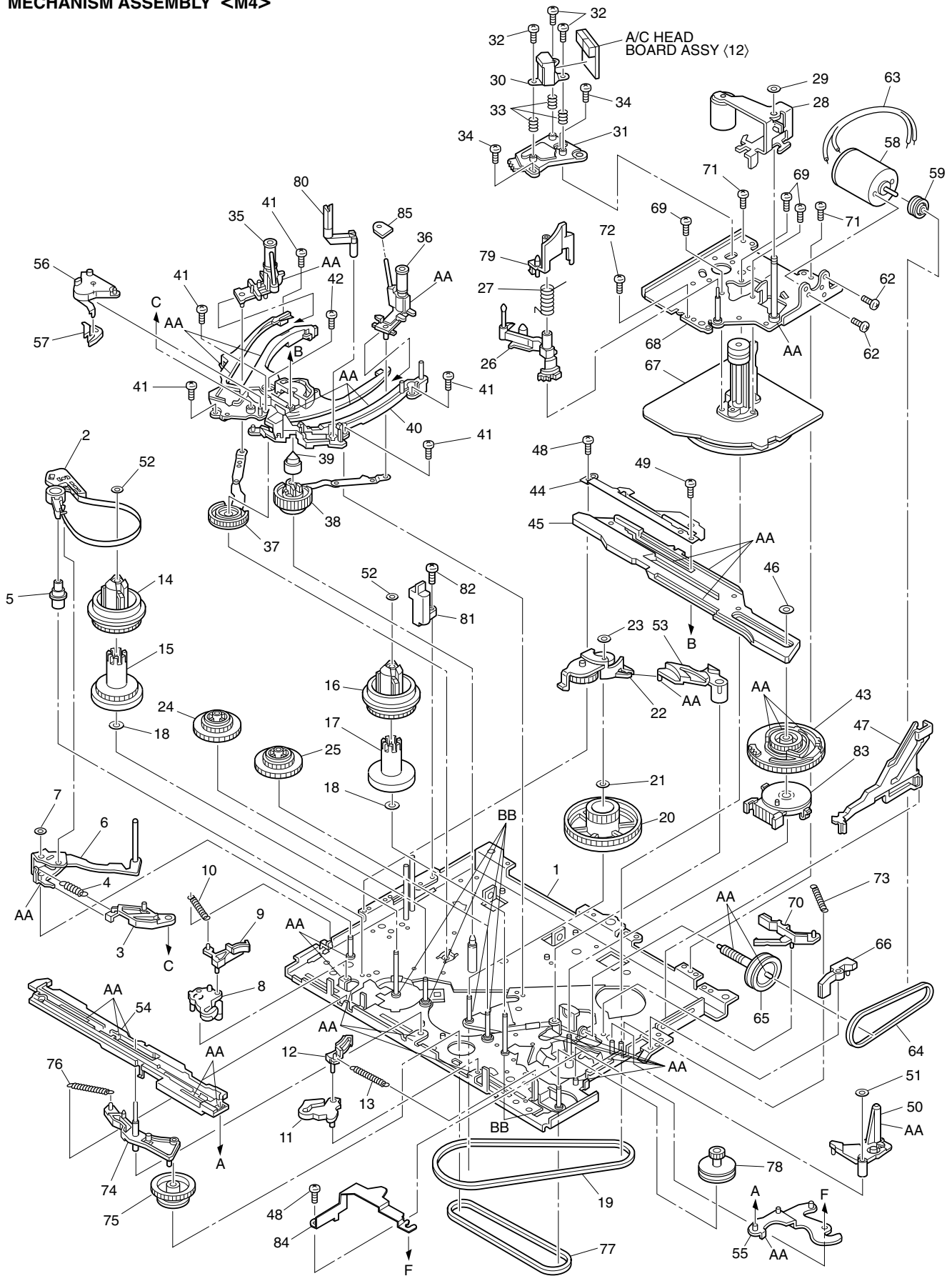
Parts that do not meet specifications may cause trouble in regard to safety and performance. We recommend that genuine JVC parts be used.



#	△	REF No.	PART No.	PART NAME, DESCRIPTION	#	△	REF No.	PART No.	PART NAME, DESCRIPTION

FINAL ASSEMBLY <M2>									
△		501	LP10343-004A	FRONT PANEL ASSY					
		501A	LP20957-004A	CASSETTE DOOR					
		501B	PQ46448	TORSION SPRING					
△		502	LP10342-004A	TOP COVER,X2					
		503	QYTDSF3010R	SCREW,X8 TOP COVER(SIDE)					
△		504	LP20956-002A	SIDE PANEL,X2					
		505	LP20053-009A	DRUM SUB ASSY					
		505A	LP20616-001A	UPPER DRUM ASSY					
		505B	PDM4439	CAP					
		505C	PDM4444-19-2	WASHER					
		505D	LP40572-001A	COLLAR ASSY					
		505E	LP40323-001A	CONTACT					
		505F	LP30004-014A	COMPRESION SPRING					
		506	PDZ0179-1-4	ROTOR ASSY					
		507	QYSPSP3006Z	SCREW,X2					
△		508	QAR0119-001	STATOR ASSY					
		509	QYSPSPH2606Z	SCREW,X2					
		510	QYTDST2610Z	SCREW,X3 DRUM					
△		511	LP10340-001A	BASE					
		512	LP20958-001A	SIDE PLATE,X2					
		513	LP30878-001A	STAY					
		514	LP40724-001A	EARTH PLATE(1)					
		515	QYTDSF4012Z	SCREW,X2 MECHA					
		516	QYTDSF3010Z	SCREW,X2 HOUSING					
△		517	QMPD190-170-K	POWER CORD					
		518	LP40725-001A	EARTH PLATE(2)					
		519	QYTDSF3008Z	SCREW,TERMINAL					
		520	QYTDSF3008Z	SCREW,MAIN					
		522	PEME0947-01-01	SPACER,X2					
△		523	LP10341-002A	REAR PANEL					
		524	LP30788-002A	BUSHING					
		525	PUS29724E	CASSETTE HOUSING ASSY					
		525A	PQ46359-1-1	CASSETTE SWITCH PIN					
		526	SPST2606Z	SCREW,CASSETTE HOUSING					
		527	SDST2610Z	SCREW,CASSETTE HOUSING					
		528	QYTDSF2608Z	SCREW,X5 FRONT BOARD					
		529	QYTDSF2608Z	SCREW,X4 REG BOARD					
		530	LP40849-001A	TAPE STOPPER 2					
		531	LP40784-001A	TAPE SUPPORT BRACKET					
		532	QYTPST2606Z	SCREW					
		WR1	QUQ212-0518CG	FFC WIRE,DRUM CN3002					
		WR2	QUP034-12AHAH	PARA RIB S WIRE,A/C HEAD					
		WR3	QUP023-12AHAH	PARA RIB S WIRE,A/C HEAD					
		WR4	QUQ212-0712CG	FFC WIRE,FRONT CN3006					

5.3 MECHANISM ASSEMBLY <M4>



Classification	Part No.	Symbol in drawing
Grease	KYODO-SH-P	AA
Oil	COSMO-HV56	BB

NOTE:The section marked in **AA** and **BB** indicate lubrication and greasing areas.

#	△	REF No.	PART No.	PART NAME, DESCRIPTION	#	△	REF No.	PART No.	PART NAME, DESCRIPTION

MECHANISM ASSEMBLY <M4>									
1			PQ21680M-24	MAIN DECK ASSY	59			PQ43546-1-2	MOTOR PULLEY
2			LP40006-001C	TENSION BAND ASSY	62			SPSP3003Z	SCREW,X2
3			PQ35012-1-5	TENSION ARM LEVER	63			PW30101-80AJ632	WIRE ASSY
4			PQM30001-385109	TENSION SPRING	64			LP30005-002A	BELT,LOADING MOTOR
5			LP30103-001B	ADJUST PIN	65			PQ46395B	WORM GEAR ASSY
6			PQ46303B-8	TENSION ARM ASSY	66			PQ21699-1-2	WORM BEARING
7			PQM30017-47	SLIT WASHER	67			PU61487-2-6	CAPSTAN MOTOR
8			PQ46305B-3	MAIN BRAKE ASSY (SUPPLY)	68			PQ46347F-17	SUB DECK ASSY
9			PQ46306A-6	SUB BRAKE ASSY(SUPPLY)	69			SPSG2608Z	SCREW,X3 CAPSTAN MOTOR
10			PQM30001-393	TENSION SPRING	70			PQ46356C-4	CAPSTAN BRAKE ASSY
11			PQ46308A-5	MAIN BRAKE ASSY (TAKE UP)	71			SPST2606Z	SCREW,X2 SUB DECK
12			PQ46309A-4	SUB BRAKE ASSY(TAKE UP)	72			SDSP2604Z	SCREW,MOTOR GUIDE
13			PQM30001-389102	TENSION SPRING	73			LP30003-005A	TENSION SPRING
14			PQ46551B	REEL DISK ASSY (SUPPLY)	74			PQ46353B	CHANGE ARM ASSY
15			PQ35436	SLIT DISK(SUPPLY)	75			PQ46354	CHANGE GEAR
16			PQ46551B	REEL DISK ASSY (TAKE UP)	76			PQM30001-386	TENSION SPRING
17			PQ35437	SLIT DISK(TAKE UP)	77			PQM30003-40	BELT,CHANGE GEAR
18			PQM30018-76	SPACER,X2	78			LP40008-001B	CASSETTE GEAR
19			PQM30003-38	BELT,CAPSTAN MOTOR	79			PQ35030-1-5	LID GUIDE
20			PQ46497B-2	PULLEY ASSY	80			LP20032-001A	LED PRISM
21			PQM30018-69	SPACER	81			PEHE0237	FULL ERASE HEAD
22			PQ46312C-15	IDLER ARM ASSY	82			SDST2610Z	SCREW,FE HEAD
23			PQM30017-34	SLIT WASHER	83			PU61432-1-2	ROTARY ENCODER
24			PQ46316F	CLUTCH UNIT(SUPPLY)	84			PQ35217-1-2	CONTROL BRACKET 2
25			PQ46323A-1	CLUTCH UNIT(TAKE UP)	85			LP40776-001A	POLE BASE SHEET
26			PQ46325D	GUIDE ARM ASSY					
27			PQ46326-2	TORSION SPRING					
28			PQ46327A-4	PINCH ROLLER ARM ASSY					
29			PQM30017-24	SLIT WASHER					
30			PEHE0182	A/C HEAD					
31			PQ35206-1-3	HEAD BASE					
32			PQ43687A	SPECIAL SCREW,X3 A/C HEAD					
33			PQM30002-192	COMPRESSION SPRING,X3					
34			SDSP2604Z	SCREW,X2 A/C HEAD					
35			PQ46595B-5	POLE BASE ASSY(SUPPLY)					
36			PQ46331C	POLE BASE ASSY(TAKE UP)					
37			PQ46332B-3	LOADING ARM ASSY(SUPPLY)					
38			PQ46337C	LOADING ARM ASSY(TAKE UP)					
39			PQ46767-1-2	GUIDE CAP					
40			PQ11657-1-9	GUIDE RAIL					
41			SPST2608Z	SCREW,X5 GUIDE RAIL					
42			SDST2612Z	SCREW,GUIDE RAIL					
43			LP20003-001A	CONTROL CAM					
44			PQ35138-3	CONTROL BRACKET					
45			LP10004-001E	CONTROL PLATE					
46			PQM30017-8	SLIT WASHER					
47			PQ21685-2-10	PINCH PLATE					
48			SPST2606Z	SCREW,X2					
49			SPSF2608M	SCREW,CONTROL BRACKET					
50			PQ46342B-10	LEVER ASSY					
51			PQM30017-8	SLIT WASHER					
52			PQM30017-47	SLIT WASHER,X2					
53			PQ35026-1-7	IDLER LEVER					
54			PQ11659-2	SLIDE PLATE					
55			LP40014-001A	CHANGE LEVER ASSY					
56			PQ21686-1-3	TAKE UP LEVER					
57			PQ46345-1-2	TAKE UP HEAD					
58			QAR0023-001	LOADING MOTOR					

5.4 ELECTRICAL PARTS LIST

#	△ REF No.	PART No.	PART NAME, DESCRIPTION

SW.REG BOARD ASSEMBLY <01>			
	PW2	LPA10129-02C2	SW REG BOARD ASSY
	IC5301	L5431	IC
		or MM1431AT	IC
	Q5101	2SK2325-LT	POWER MOS FET
		or 2SK2325	POWER MOS FET
	Q5102	2SD2144S/UV/-T	TRANSISTOR
	Q5302	2SD2375/QP/	TRANSISTOR
	Q5303	2SD1819A/RS/-X	TRANSISTOR
		or 2SC4081/RS/-X	TRANSISTOR
		or 2PC4081/R/-X	TRANSISTOR
	Q5304	2SC3616/ML/-T	TRANSISTOR
	Q5305	DTA114EU	TRANSISTOR
		or PDTA114EU	TRANSISTOR
		or RN2302	TRANSISTOR
		or UN5111	TRANSISTOR
	Q5306	DTC114EU	TRANSISTOR
		or PDTC114EU	TRANSISTOR
		or RN1302	TRANSISTOR
		or UN5211	TRANSISTOR
	D5001	S1WB/A/60-4102	BRIDGE DIODE
		or S1WB/A/60-X	BRIDGE DIODE
		or S1WB(A)60F4072X	BRIDGE DIODE
	D5101	AU01	FR DIODE
		or ERA18-04-T2	FR DIODE
		or 1SR153-400-T2	FR DIODE
		or 10ELS4	FR DIODE
	D5102	AU01	FR DIODE
		or ERA18-04-T2	FR DIODE
		or 1SR153-400-T2	FR DIODE
		or 10ELS4	FR DIODE
	D5103	1SS133	DIODE
		or 1SS270A	DIODE
	D5203	AU01Z	FR DIODE
		or 10ELS2	FR DIODE
	D5204	AU01Z	FR DIODE
		or 10ELS2	FR DIODE
	D5207	RK14LF-B2	BARRIER DIODE
		or SB240-F26	SB DIODE
		or 21DQ04	BARRIER DIODE
	D5210	AU01Z	FR DIODE
		or ERA18-02-T2	FR DIODE
		or PG104RS	FR DIODE
		or 1SR153-400-T2	FR DIODE
		or 10ELS2	FR DIODE
	D5301	MTZJ15C	ZENER DIODE
		or RD15ES/B3/-T2	ZENER DIODE
	D5302	QUY153-050Y	IM BUS WIRE
	D5303	RD5.1JS/B2/-T2	ZENER DIODE
		or MA4051N/M/-T2	ZENER DIODE
	D5304	1SS133	DIODE
		or 1SS270A	DIODE
△	R5001	QRZ9046-475Z	RESISTOR 4.7MΩ, 1/2W
	R5101	QRE141J-224Y	RESISTOR 220kΩ, 1/4W
	R5102	QRE141J-224Y	RESISTOR 220kΩ, 1/4W
	R5103	QRE141J-683Y	RESISTOR 68kΩ, 1/4W
	R5104	QRG02GJ-683	OMF RESISTOR 68kΩ, 2W
	R5106	QRT01DJ-R39X	MF RESISTOR 0.39Ω, 1W

#	△ REF No.	PART No.	PART NAME, DESCRIPTION
	R5107	QRE121J-331Y	RESISTOR 330Ω, 1/2W
	R5108	NRSA02J-122X	MG RESISTOR 1.2kΩ, 1/10W
	R5109	QRE141J-681Y	RESISTOR 680Ω, 1/4W
	R5110	NRSA02J-224X	MG RESISTOR 220kΩ, 1/10W
	R5301	NRSA02J-472X	MG RESISTOR 4.7kΩ, 1/10W
	R5302	NRSA02J-152X	MG RESISTOR 1.5kΩ, 1/10W
	R5303	NRSA02J-152X	MG RESISTOR 1.5kΩ, 1/10W
	R5304	NRSA02J-471X	MG RESISTOR 470Ω, 1/10W
	R5305	NRSA02J-102X	MG RESISTOR 1kΩ, 1/10W
	R5306	NRSA02J-471X	MG RESISTOR 470Ω, 1/10W
	R5308	NRSA02J-471X	MG RESISTOR 470Ω, 1/10W
	R5309	NRSA02J-103X	MG RESISTOR 10kΩ, 1/10W
	R5310	NRSA02J-471X	MG RESISTOR 470Ω, 1/10W
	R5311	NRSA02J-473X	MG RESISTOR 47kΩ, 1/10W
	R5312	NRVA02D-332X	CMF RESISTOR 3.3kΩ, 1/10W
	R5313	NRVA02D-332X	CMF RESISTOR 3.3kΩ, 1/10W
	R5314	NRSA02J-332X	MG RESISTOR 3.3kΩ, 1/10W
	R5316	NRVA02D-123X	CMF RESISTOR 12kΩ, 1/10W
	B5301	QUY153-050Y	IM BUS WIRE
	B5302	QUY153-050Y	IM BUS WIRE
△	C5001	QFZ9073-683	F CAPACITOR 0.068μF, 250V
△	C5004	QCZ9094-472	CAPACITOR 0.0047μF, 125V
	C5101	QCZ0212-472	CAPACITOR 0.0047μF, 1kV
	C5102	QCZ0136-101Z	CAPACITOR 100pF, 1kV
	C5104	QETN1HM-105	E CAPACITOR 1μF, 50V
	C5105	QFN31HJ-183	F CAPACITOR 0.018μF, 50V
	C5107	QFV91HJ-104	F CAPACITOR 0.1μF, 50V
	C5202	QEMT1CM-827	E CAPACITOR 820μF, 16V
	C5203	QEMT1AM-687	E CAPACITOR 680μF, 10V
	C5204	QETN2AM-475	E CAPACITOR 4.7μF, 100V
	C5206	QETN1AM-107	E CAPACITOR 100μF, 10V
	C5207	QETN1CM-107	E CAPACITOR 100μF, 16V
	C5301	QETN1AM-107	E CAPACITOR 100μF, 10V
	C5302	QETN1HM-106	E CAPACITOR 10μF, 50V
	C5303	QETN1CM-107	E CAPACITOR 100μF, 16V
	C5304	QFLC1HJ-102Z	F CAPACITOR 0.001μF, 50V
	C5305	QFV91HJ-154	F CAPACITOR 0.15μF, 50V
	L5201	PELN1184	COIL 33μH
	L5202	PELN1184	COIL 33μH
	K5101	QQR0678-001Z	FERRITE BEAD
	K5102	QUY153-050Y	IM BUS WIRE
△	PC5101	PC817	IC(PHOTO COUPLER)
△	T5001	QQS0083-001	SW TRANSFORMER
	HS1	QZW0047-001	HEAT SINK, Q5101
	SD1	LP30789-001A	SHILD CASE(REG)
	FC5001	QNG0006-001Z	FUSE CLIP
	FC5002	QNG0006-001Z	FUSE CLIP
△	LF5002	QQR0532-001	LINE FILTER
	OT1	QYTDST3008Z	SCREW, Q5101
△	OT2	LP30851-001A	SHEET
△	OT3	LP40735-001A	SHEET(2)
△	CN5001	QGA7901C3-02	CONNECTOR, (1-2)AC IN
	CN5002	QUM02B-07A4BF	PARA RIBON WIRE, (1-11)MAIN
△	CP5302	ICP-N25	CIRCUIT PROTECTOR
△	F5001	QMF51N2-1R25J1	FUSE T1.25A, AC250V

△ REF No. PART No. PART NAME, DESCRIPTION

MAIN BOARD ASSEMBLY <03>

PW1	LPA10129-02C1	MAIN BOARD ASSY
IC1	JCP8020-NVD-2	IC
IC3001	M37760MCH4A5GP	IC(MCU)
IC3002	M24C02-BN6	IC
	or KS24C021C	IC
	or AT24C02-10PC	IC
	or 24LC02B/P	IC
IC3003	S-80827ANUP-W	IC
	or S-80727AN-DQ-X	IC
IC3004	BA6956AN	IC
IC6501	UPC1854AGT	IC
Q10	2SA1576A/QR/-X	TRANSISTOR
	or 2PA1576/R/-X	TRANSISTOR
Q22	2SC4081/QRS/-X	TRANSISTOR
	or 2PC4081/R/-X	TRANSISTOR
Q32	UN521E	TRANSISTOR
	or RN1309	TRANSISTOR
	or DTC144WU	TRANSISTOR
Q38	2SC4081/QRS/-X	TRANSISTOR
Q901	2SA1576A/QR/-X	TRANSISTOR
	or 2PA1576/R/-X	TRANSISTOR
Q2001	2SC4081/QRS/-X	TRANSISTOR
	or 2SD1819A/QRS/-X	TRANSISTOR
	or 2PC4081/R/-X	TRANSISTOR
Q2002	2SC4081/QRS/-X	TRANSISTOR
	or 2PC4081/R/-X	TRANSISTOR
	or 2SD1819A/QRS/-X	TRANSISTOR
Q2003	DTA144WU	TRANSISTOR
	or PDTA144WU	TRANSISTOR
	or RN2309	TRANSISTOR
	or UN511E	TRANSISTOR
Q2051	2SC4081/QRS/-X	TRANSISTOR
	or 2SD1819A/QRS/-X	TRANSISTOR
	or 2PC4081/R/-X	TRANSISTOR
Q2052	2SA1576A/QR/-X	TRANSISTOR
	or 2PA1576/R/-X	TRANSISTOR
	or 2SB1218A/QR/-X	TRANSISTOR
Q2053	DTC144WU	TRANSISTOR
	or PDC144WU	TRANSISTOR
	or RN1309	TRANSISTOR
	or UN521E	TRANSISTOR
Q2054	2SA1576A/QR/-X	TRANSISTOR
	or 2SB1218A/QR/-X	TRANSISTOR
	or 2PA1576/R/-X	TRANSISTOR
Q2055	DTC144WU	TRANSISTOR
	or PDC144WU	TRANSISTOR
	or RN1309	TRANSISTOR
	or UN521E	TRANSISTOR
Q2251	DTA144WU	TRANSISTOR
	or PDTA144WU	TRANSISTOR
	or RN2309	TRANSISTOR
	or UN511E	TRANSISTOR
Q3001	LP40038-001A	TAPE SENSOR
Q3002	LP40038-001A	TAPE SENSOR
Q3003	2SD1819A/QRS/-X	TRANSISTOR
	or 2SC4081/QRS/-X	TRANSISTOR
	or 2PC4081/R/-X	TRANSISTOR

# △ REF No.	PART No.	PART NAME, DESCRIPTION	
Q3004	2SD1819A/QRS/-X	TRANSISTOR	
	or 2PC4081/R/-X	TRANSISTOR	
	or 2SC4081/QRS/-X	TRANSISTOR	
Q4001	DTC114EU	TRANSISTOR	
	or PDC114EU	TRANSISTOR	
	or RN1302	TRANSISTOR	
	or UN5211	TRANSISTOR	
Q4002	2SD1819A/QRS/-X	TRANSISTOR	
Q6501	DTC143TU	TRANSISTOR	
Q6502	DTC143TU	TRANSISTOR	
Q6551	2SC1740S/QRS/-T	TRANSISTOR	
	or 2SC3199/YG/-T	TRANSISTOR	
	or KTC3199/YG/-T	TRANSISTOR	
D1	1SS133	DIODE	
	or 1SS270A	DIODE	
D2	1SS133	DIODE	
	or 1SS270A	DIODE	
D2101	MTZJ8.2C	ZENER DIODE	
D3001	SIR-381SB3FM	LE DIODE	
	or SIR-381SB3FX1M	LE DIODE	
D3002	1N4148M	DIODE	
	or 1SS133	DIODE	
	or 1SS270A	DIODE	
D3004	11E2-T5	DIODE	
D3005	11E2-T5	DIODE	
D3006	RD39ES/B3/-T2	ZENER DIODE	
	or MTZJ39C	ZENER DIODE	
D4001	1SS355	DIODE	
D4004	1SS355	DIODE	
D6002	HZ30-2L-T2	ZENER DIODE	
	or HZ30-2LTD	Z DIODE (M)	
D6551	MTZJ10B	ZENER DIODE	
R1	NRSA02J-682X	MG RESISTOR	6.8kΩ, 1/10W
R2	NRSA02J-152X	MG RESISTOR	1.5kΩ, 1/10W
R3	NRSA02J-562X	MG RESISTOR	5.6kΩ, 1/10W
R5	NRSA02J-0R0X	MG RESISTOR	0Ω, 1/10W
R6	NRSA02J-273X	MG RESISTOR	27kΩ, 1/10W
R7	NRSA02J-821X	MG RESISTOR	820Ω, 1/10W
R8	NRSA02J-0R0X	MG RESISTOR	0Ω, 1/10W
R9	NRSA02J-0R0X	MG RESISTOR	0Ω, 1/10W
R12	NRSA02J-0R0X	MG RESISTOR	0Ω, 1/10W
R37	NRSA02J-0R0X	MG RESISTOR	0Ω, 1/10W
R41	NRSA02J-822X	MG RESISTOR	8.2kΩ, 1/10W
R42	NRSA02J-681X	MG RESISTOR	680Ω, 1/10W
R43	NRSA02J-103X	MG RESISTOR	10kΩ, 1/10W
R46	NRSA02J-331X	MG RESISTOR	330Ω, 1/10W
R49	NRSA02J-391X	MG RESISTOR	390Ω, 1/10W
R66	NRSA02J-104X	MG RESISTOR	100kΩ, 1/10W
R77	NRSA02J-103X	MG RESISTOR	10kΩ, 1/10W
R90	NRSA02J-471X	MG RESISTOR	470Ω, 1/10W
R92	NRSA02J-152X	MG RESISTOR	1.5kΩ, 1/10W
R93	NRSA02J-102X	MG RESISTOR	1kΩ, 1/10W
R104	NRSA02J-682X	MG RESISTOR	6.8kΩ, 1/10W
R901	NRSA02J-750X	MG RESISTOR	75Ω, 1/10W
R904	QRE121J-331Y	RESISTOR	330Ω, 1/2W
R905	NRSA02J-101X	MG RESISTOR	100Ω, 1/10W
R911	NRSA02J-750X	MG RESISTOR	75Ω, 1/10W
R2001	NRSA02J-101X	MG RESISTOR	100Ω, 1/10W
R2003	NRSA02J-101X	MG RESISTOR	100Ω, 1/10W
R2004	NRSA02J-332X	MG RESISTOR	3.3kΩ, 1/10W
R2005	NRSA02J-0R0X	MG RESISTOR	0Ω, 1/10W

#	△ REF No.	PART No.	PART NAME, DESCRIPTION	#	△ REF No.	PART No.	PART NAME, DESCRIPTION
R2007		NRSA02J-393X	MG RESISTOR 39kΩ,1/10W	R3060		NRSA02J-332X	MG RESISTOR 3.3kΩ,1/10W
R2008		NRSA02J-123X	MG RESISTOR 12kΩ,1/10W	R3061		NRSA02J-102X	MG RESISTOR 1kΩ,1/10W
R2010		NRSA02J-123X	MG RESISTOR 12kΩ,1/10W	R3062		NRSA02J-102X	MG RESISTOR 1kΩ,1/10W
R2013		NRSA02J-682X	MG RESISTOR 6.8kΩ,1/10W	R3064		NRSA02J-102X	MG RESISTOR 1kΩ,1/10W
R2014		NRSA02J-224X	MG RESISTOR 220kΩ,1/10W	R3065		NRSA02J-102X	MG RESISTOR 1kΩ,1/10W
R2015		NRSA02J-181X	MG RESISTOR 180Ω,1/10W	R3066		NRSA02J-102X	MG RESISTOR 1kΩ,1/10W
R2016		NRSA02J-473X	MG RESISTOR 47kΩ,1/10W	R3067		NRSA02J-102X	MG RESISTOR 1kΩ,1/10W
R2017		NRSA02J-103X	MG RESISTOR 10kΩ,1/10W	R3068		NRSA02J-102X	MG RESISTOR 1kΩ,1/10W
R2018		NRSA02J-472X	MG RESISTOR 4.7kΩ,1/10W	R3069		NRSA02J-102X	MG RESISTOR 1kΩ,1/10W
R2019		NRSA02J-472X	MG RESISTOR 4.7kΩ,1/10W	R3070		NRSA02J-102X	MG RESISTOR 1kΩ,1/10W
R2024		NRSA02J-472X	MG RESISTOR 4.7kΩ,1/10W	R3071		NRSA02J-101X	MG RESISTOR 100Ω,1/10W
R2053		NRSA02J-152X	MG RESISTOR 1.5kΩ,1/10W	R3072		NRSA02J-101X	MG RESISTOR 100Ω,1/10W
R2054		NRSA02J-123X	MG RESISTOR 12kΩ,1/10W	R3073		NRSA02J-102X	MG RESISTOR 1kΩ,1/10W
R2055		NRSA02J-3R3X	MG RESISTOR 3.3Ω,1/10W	R3074		NRSA02J-103X	MG RESISTOR 10kΩ,1/10W
R2056		NRSA02J-820X	MG RESISTOR 82Ω,1/10W	R3075		NRSA02J-472X	MG RESISTOR 4.7kΩ,1/10W
R2057		NRSA02J-473X	MG RESISTOR 47kΩ,1/10W	R3078		NRSA02J-102X	MG RESISTOR 1kΩ,1/10W
R2058		NRSA02J-183X	MG RESISTOR 18kΩ,1/10W	R3079		NRSA02J-102X	MG RESISTOR 1kΩ,1/10W
R2059		NRSA02J-473X	MG RESISTOR 47kΩ,1/10W	R3080		NRSA02J-102X	MG RESISTOR 1kΩ,1/10W
R2060		NRSA02J-183X	MG RESISTOR 18kΩ,1/10W	R3081		NRSA02J-102X	MG RESISTOR 1kΩ,1/10W
R2201		QRE141J-151Y	RESISTOR 150Ω,1/4W	R3082		NRSA02J-102X	MG RESISTOR 1kΩ,1/10W
R2206		NRSA02J-101X	MG RESISTOR 100Ω,1/10W	R3084		NRSA02J-102X	MG RESISTOR 1kΩ,1/10W
R2207		NRSA02J-332X	MG RESISTOR 3.3kΩ,1/10W	R3085		NRSA02J-102X	MG RESISTOR 1kΩ,1/10W
R2217		NRSA02J-0R0X	MG RESISTOR 0Ω,1/10W	R3086		NRSA02J-0R0X	MG RESISTOR 0Ω,1/10W
R2219		NRSA02J-393X	MG RESISTOR 39kΩ,1/10W	R3100		NRSA02J-102X	MG RESISTOR 1kΩ,1/10W
R2222		NRSA02J-123X	MG RESISTOR 12kΩ,1/10W	R3111		NRSA02J-684X	MG RESISTOR 680kΩ,1/10W
R2224		NRSA02J-123X	MG RESISTOR 12kΩ,1/10W	R3201		QRE141J-103Y	RESISTOR 10kΩ,1/4W
R2228		NRSA02J-0R0X	MG RESISTOR 0Ω,1/10W	R3202		NRSA02J-472X	MG RESISTOR 4.7kΩ,1/10W
R2251		NRSA02J-102X	MG RESISTOR 1kΩ,1/10W	R3203		NRSA02J-103X	MG RESISTOR 10kΩ,1/10W
R3001		NRSA02J-102X	MG RESISTOR 1kΩ,1/10W	R3204		NRSA02J-392X	MG RESISTOR 3.9kΩ,1/10W
R3002		NRSA02J-102X	MG RESISTOR 1kΩ,1/10W	R3205		NRSA02J-562X	MG RESISTOR 5.6kΩ,1/10W
R3003		NRSA02J-102X	MG RESISTOR 1kΩ,1/10W	R3206		NRSA02J-333X	MG RESISTOR 33kΩ,1/10W
R3005		NRSA02J-102X	MG RESISTOR 1kΩ,1/10W	R3207		NRSA02J-333X	MG RESISTOR 33kΩ,1/10W
R3006		NRSA02J-102X	MG RESISTOR 1kΩ,1/10W	R3208		NRSA02J-333X	MG RESISTOR 33kΩ,1/10W
R3007		NRSA02J-102X	MG RESISTOR 1kΩ,1/10W	R3209		QRE141J-750Y	RESISTOR 75Ω,1/4W
R3008		NRSA02J-102X	MG RESISTOR 1kΩ,1/10W	R3210		NRSA02J-822X	MG RESISTOR 8.2kΩ,1/10W
R3010		NRSA02J-102X	MG RESISTOR 1kΩ,1/10W	R3211		NRSA02J-822X	MG RESISTOR 8.2kΩ,1/10W
R3014		NRSA02J-102X	MG RESISTOR 1kΩ,1/10W	R3212		NRSA02J-181X	MG RESISTOR 180Ω,1/10W
R3016		NRSA02J-0R0X	MG RESISTOR 0Ω,1/10W	R3213		NRSA02J-273X	MG RESISTOR 27kΩ,1/10W
R3020		NRSA02J-102X	MG RESISTOR 1kΩ,1/10W	R3214		NRSA02J-181X	MG RESISTOR 180Ω,1/10W
R3021		NRSA02J-102X	MG RESISTOR 1kΩ,1/10W	R3215		NRSA02J-273X	MG RESISTOR 27kΩ,1/10W
R3022		NRSA02J-102X	MG RESISTOR 1kΩ,1/10W	R3216		NRSA02J-474X	MG RESISTOR 470kΩ,1/10W
R3023		NRSA02J-102X	MG RESISTOR 1kΩ,1/10W	R3217		NRSA02J-334X	MG RESISTOR 330kΩ,1/10W
R3024		NRSA02J-102X	MG RESISTOR 1kΩ,1/10W	R3218		NRSA02J-333X	MG RESISTOR 33kΩ,1/10W
R3025		NRSA02J-102X	MG RESISTOR 1kΩ,1/10W	R3219		NRSA02J-333X	MG RESISTOR 33kΩ,1/10W
R3026		NRSA02J-102X	MG RESISTOR 1kΩ,1/10W	R3220		NRSA02J-103X	MG RESISTOR 10kΩ,1/10W
R3027		NRSA02J-102X	MG RESISTOR 1kΩ,1/10W	R3222		NRSA02J-472X	MG RESISTOR 4.7kΩ,1/10W
R3028		NRSA02J-472X	MG RESISTOR 4.7kΩ,1/10W	R3224		NRSA02J-101X	MG RESISTOR 100Ω,1/10W
R3029		NRSA02J-102X	MG RESISTOR 1kΩ,1/10W	R3226		NRSA02J-472X	MG RESISTOR 4.7kΩ,1/10W
R3030		NRSA02J-102X	MG RESISTOR 1kΩ,1/10W	R3227		NRSA02J-472X	MG RESISTOR 4.7kΩ,1/10W
R3031		NRSA02J-102X	MG RESISTOR 1kΩ,1/10W	R3230		NRSA02J-153X	MG RESISTOR 15kΩ,1/10W
R3032		NRSA02J-102X	MG RESISTOR 1kΩ,1/10W	R3231		NRSA02J-153X	MG RESISTOR 15kΩ,1/10W
R3033		NRSA02J-102X	MG RESISTOR 1kΩ,1/10W	R4001		NRSA02J-222X	MG RESISTOR 2.2kΩ,1/10W
R3040		NRSA02J-104X	MG RESISTOR 100kΩ,1/10W	R4002		NRSA02J-103X	MG RESISTOR 10kΩ,1/10W
R3041		NRSA02J-102X	MG RESISTOR 1kΩ,1/10W	R4003		NRSA02J-0R0X	MG RESISTOR 0Ω,1/10W
R3042		NRSA02J-102X	MG RESISTOR 1kΩ,1/10W	R4004		NRSA02J-102X	MG RESISTOR 1kΩ,1/10W
R3043		NRSA02J-473X	MG RESISTOR 47kΩ,1/10W	R4005		NRSA02J-102X	MG RESISTOR 1kΩ,1/10W
R3047		NRSA02J-102X	MG RESISTOR 1kΩ,1/10W	R4006		NRSA02J-102X	MG RESISTOR 1kΩ,1/10W
R3051		NRSA02J-102X	MG RESISTOR 1kΩ,1/10W	R4007		NRSA02J-102X	MG RESISTOR 1kΩ,1/10W
R3053		NRSA02J-102X	MG RESISTOR 1kΩ,1/10W	R4009		NRSA02J-102X	MG RESISTOR 1kΩ,1/10W
R3054		NRSA02J-102X	MG RESISTOR 1kΩ,1/10W	R4010		NRSA02J-471X	MG RESISTOR 470Ω,1/10W
R3056		NRSA02J-471X	MG RESISTOR 470Ω,1/10W	R4011		NRSA02J-471X	MG RESISTOR 470Ω,1/10W

#	△	REF No.	PART No.	PART NAME, DESCRIPTION	#	△	REF No.	PART No.	PART NAME, DESCRIPTION	
R4012			NRSA02J-153X	MG RESISTOR	C21			NCB21EK-104X	CAPACITOR	0.1μF,25V
R4013			NRSA02J-222X	MG RESISTOR	C22			QEKJ0JM-476	E CAPACITOR	47μF,6.3V
R4018			NRSA02J-102X	MG RESISTOR	C23			NCB21EK-104X	CAPACITOR	0.1μF,25V
R4019			NRSA02J-102X	MG RESISTOR	C24			QCFB1HZ-104	CAPACITOR	0.1μF,50V
R4020			NRSA02J-102X	MG RESISTOR	C25			NDC21HJ-5R0X	CAPACITOR	5pF,50V
R4021			NRSA02J-103X	MG RESISTOR	C27			NCB21HK-223X	CAPACITOR	0.022μF,50V
R4022			NRSA02J-472X	MG RESISTOR	C28			QEKJ1HM-335	E CAPACITOR	3.3μF,50V
R4024			NRSA02J-103X	MG RESISTOR	C29			NCB21HK-472X	CAPACITOR	0.0047μF,50V
R4025			NRSA02J-222X	MG RESISTOR	C30			QEKJ1HM-474	E CAPACITOR	0.47μF,50V
R4026			NRSA02J-103X	MG RESISTOR	C31			QEKJ0JM-476	E CAPACITOR	47μF,6.3V
R6020			NRSA02J-102X	MG RESISTOR	C32			NCB21HK-103X	CAPACITOR	0.01μF,50V
R6021			NRSA02J-102X	MG RESISTOR	C33			QEKJ1HM-225	E CAPACITOR	2.2μF,50V
R6022			NRSA02J-102X	MG RESISTOR	C34			NCB21EK-104X	CAPACITOR	0.1μF,25V
R6031			NRSA02J-0R0X	MG RESISTOR	C35			NCB21EK-333X	CAPACITOR	0.033μF,25V
R6032			NRSA02J-123X	MG RESISTOR	C36			QEKJ1HM-475	E CAPACITOR	4.7μF,50V
R6033			NRSA02J-123X	MG RESISTOR	C37			QEKJ1HM-105	E CAPACITOR	1μF,50V
R6050			NRSA02J-0R0X	MG RESISTOR	C38			QEKJ0JM-476	E CAPACITOR	47μF,6.3V
R6054			NRSA02J-101X	MG RESISTOR	C39			NCB21EK-104X	CAPACITOR	0.1μF,25V
R6501			NRSA02J-102X	MG RESISTOR	C40			QEKJ1EM-106	E CAPACITOR	10μF,25V
R6502			NRSA02J-334X	MG RESISTOR	C53			NCB21HK-103X	CAPACITOR	0.01μF,50V
R6503			NRSA02J-124X	MG RESISTOR	C62			NCB21EK-104X	CAPACITOR	0.1μF,25V
R6504			QRE141J-302Y	RESISTOR	C64			NDC21HJ-200X	CAPACITOR	20pF,50V
R6505			NRSA02J-512X	MG RESISTOR	C81			NCB21HK-103X	CAPACITOR	0.01μF,50V
R6506			NRSA02J-333X	MG RESISTOR	C94			NRSA02J-0R0X	MG RESISTOR	0Ω, 1/10W
R6507			NRSA02J-333X	MG RESISTOR	C106			NCB21HK-102X	CAPACITOR	0.001μF,50V
R6508			NRSA02J-392X	MG RESISTOR	C109			NCB21CK-224X	CAPACITOR	0.22μF,16V
R6509			NRSA02J-122X	MG RESISTOR	C110			NCB21HK-331X	CAPACITOR	330pF,50V
R6510			NRSA02J-392X	MG RESISTOR	C135			NCB21EK-104X	CAPACITOR	0.1μF,25V
R6511			NRSA02J-122X	MG RESISTOR	C901			QETN0JM-477	E CAPACITOR	470μF,6.3V
R6551			NRSA02J-271X	MG RESISTOR	C903			QEKJ1CM-476	E CAPACITOR	47μF,16V
R6552			NRSA02J-101X	MG RESISTOR	C904			NCB21EK-104X	CAPACITOR	0.1μF,25V
R7101			NRSA02J-101X	MG RESISTOR	C2001			QEKJ1EM-475	E CAPACITOR	4.7μF,25V
R7102			NRSA02J-101X	MG RESISTOR	C2002			QEKJ1CM-106	E CAPACITOR	10μF,16V
B5			NRSA02J-0R0X	MG RESISTOR	C2003			QEKJ0JM-476	E CAPACITOR	47μF,6.3V
B28			NRSA02J-0R0X	MG RESISTOR	C2005			QEKJ1EM-475	E CAPACITOR	4.7μF,25V
B35			NRSA02J-0R0X	MG RESISTOR	C2006			NCB21HK-123X	CAPACITOR	0.012μF,50V
B61			NRSA02J-0R0X	MG RESISTOR	C2007			QEKJ1CM-226	E CAPACITOR	22μF,16V
B3001			NRSA02J-0R0X	MG RESISTOR	C2008			QEKJ1EM-475	E CAPACITOR	4.7μF,25V
B3002			NRSA02J-0R0X	MG RESISTOR	C2009			NCB21HK-102X	CAPACITOR	0.001μF,50V
B6030			NRSA02J-0R0X	MG RESISTOR	C2010			NCB21HK-152X	CAPACITOR	0.0015μF,50V
B6501			NRSA02J-0R0X	MG RESISTOR	C2011			QEKJ1EM-475	E CAPACITOR	4.7μF,25V
B6502			NRSA02J-0R0X	MG RESISTOR	C2012			QEKJ1EM-475	E CAPACITOR	4.7μF,25V
B6503			NRSA02J-0R0X	MG RESISTOR	C2051			QCB1HJ-331	CAPACITOR	330pF,50V
B6505			NRSA02J-0R0X	MG RESISTOR	C2052			QFLC1HJ-823Z	F CAPACITOR	0.082μF,50V
C1			NCF21CZ-105X	CAPACITOR	C2053			NCB21HK-472X	CAPACITOR	0.0047μF,50V
C2			NCF21CZ-105X	CAPACITOR	C2054			NCB21HK-223X	CAPACITOR	0.022μF,50V
C3			NCF21CZ-105X	CAPACITOR	C2055			QEKJ1CM-106	E CAPACITOR	10μF,16V
C4			NCF21CZ-105X	CAPACITOR	C2201			NCB21EK-104X	CAPACITOR	0.1μF,25V
C5			QEKJ1CM-476	E CAPACITOR	C2202			NCB21EK-333X	CAPACITOR	0.033μF,25V
C6			NCB11EK-104X	CAPACITOR	C2203			QEKJ1CM-106	E CAPACITOR	10μF,16V
C8			NCB21EK-104X	CAPACITOR	C2204			QCB1HK-102	CAPACITOR	0.001μF,50V
C10			NDC21HJ-151X	CAPACITOR	C2205			QEKJ1HM-105	E CAPACITOR	1μF,50V
C11			NCB21EK-104X	CAPACITOR	C2206			QEKJ1CM-106	E CAPACITOR	10μF,16V
C12			NDC21HJ-330X	CAPACITOR	C2207			QEKJ1CM-476	E CAPACITOR	47μF,16V
C14			NCB21EK-104X	CAPACITOR	C2208			QEKJ1EM-475	E CAPACITOR	4.7μF,25V
C15			NCB21HK-103X	CAPACITOR	C2209			NCB21HK-103X	CAPACITOR	0.01μF,50V
C16			NCB21EK-104X	CAPACITOR	C2210			NCB21HK-103X	CAPACITOR	0.01μF,50V
C17			QEKJ1HM-335	E CAPACITOR	C2215			QEKJ1EM-475	E CAPACITOR	4.7μF,25V
C18			QEKJ1HM-105	E CAPACITOR	C2217			QEKJ1CM-106	E CAPACITOR	10μF,16V
C19			QEKJ1HM-225	E CAPACITOR	C2219			QEKJ1CM-106	E CAPACITOR	10μF,16V
C20			QEPF1HM-105	NP E CAPACITOR	C2220			QEKJ1EM-475	E CAPACITOR	4.7μF,25V

#	△ REF No.	PART No.	PART NAME, DESCRIPTION	#	△ REF No.	PART No.	PART NAME, DESCRIPTION
C2221		NCB21HK-103X	CAPACITOR 0.01μF,50V	C6508		QEKJ1HM-474	E CAPACITOR 0.47μF,50V
C2222		QEKJ1HM-474	E CAPACITOR 0.47μF,50V	C6509		NCB21EK-104X	CAPACITOR 0.1μF,25V
C2223		QEKJ1HM-474	E CAPACITOR 0.47μF,50V	C6510		QEKJ1HM-105	E CAPACITOR 1μF,50V
C2224		NCB21HK-103X	CAPACITOR 0.01μF,50V	C6511		QEKJ1HM-105	E CAPACITOR 1μF,50V
C2225		QEKJ1EM-475	E CAPACITOR 4.7μF,25V	C6512		QEKJ1HM-105	E CAPACITOR 1μF,50V
C2226		QEKJ1CM-106	E CAPACITOR 10μF,16V	C6513		QEKJ1HM-335	E CAPACITOR 3.3μF,50V
C2227		NCB21EK-104X	CAPACITOR 0.1μF,25V	C6514		QEKJ1EM-106	E CAPACITOR 10μF,25V
C2251		QEKJ0JM-476	E CAPACITOR 47μF,6.3V	C6515		QEKJ1HM-105	E CAPACITOR 1μF,50V
C2252		NCB21HK-103X	CAPACITOR 0.01μF,50V	C6516		QEKJ1EM-106	E CAPACITOR 10μF,25V
C2253		NCB21HK-103X	CAPACITOR 0.01μF,50V	C6517		QEKJ1EM-106	E CAPACITOR 10μF,25V
C2254		NCB21HK-103X	CAPACITOR 0.01μF,50V	C6518		QEKJ1HM-105	E CAPACITOR 1μF,50V
C3001		NCB21EK-104X	CAPACITOR 0.1μF,25V	L1		QQL29BJ-100Z	COIL 10μH
C3002		NCB21HK-103X	CAPACITOR 0.01μF,50V	L2		QUY153-050Y	IM BUS WIRE
C3003		QEKJ1CM-106	E CAPACITOR 10μF,16V	L3		QQL29BJ-100Z	COIL 10μH
C3013		QEKJ1CM-106	E CAPACITOR 10μF,16V	L4		QQL29BJ-100Z	COIL 10μH
C3015		NCB21HK-103X	CAPACITOR 0.01μF,50V	L5		QQL29BJ-100Z	COIL 10μH
C3016		NDC21HJ-270X	CAPACITOR 27pF,50V	L11		QQL01BJ-120Z	COIL 12μH
C3017		NDC21HJ-270X	CAPACITOR 27pF,50V	L13		QQL231J-680Y	COIL 68μH
C3018		NDC21HJ-330X	CAPACITOR 33pF,50V	L24		QQL231J-180Y	COIL 18μH
C3020		NDC21HJ-150X	CAPACITOR 15pF,50V	L28		QQL231J-150Y	COIL 15μH
C3021		NCB21EK-103X	CAPACITOR 0.01μF,25V	L901		QQL29BJ-100Z	COIL 10μH
C3022		NCB21EK-103X	CAPACITOR 0.01μF,25V	L2001		QUY153-050Y	IM BUS WIRE
C3025		NCB21EK-103X	CAPACITOR 0.01μF,25V	L2251		QQL29BJ-100Z	COIL 10μH
C3030		NCB21EK-104X	CAPACITOR 0.1μF,25V	L3001		QQL29BJ-100Z	COIL 10μH
C3031		QEKJ0JM-107	E CAPACITOR 100μF,6.3V	L3002		QQL03BJ-3R9Z	COIL 3.9μH
C3032		NCB21EK-104X	CAPACITOR 0.1μF,25V	L3003		QQL342J-100Z	COIL 10μH
C3033		NDC21HJ-180X	CAPACITOR 18pF,50V	L3004		QQL231J-4R7Y	COIL 4.7μH
C3034		NDC21HJ-180X	CAPACITOR 18pF,50V	L3007		QQL01BJ-270Z	COIL 27μH
C3035		NCB21HK-471X	CAPACITOR 470pF,50V	L3008		QQL01BJ-270Z	COIL 27μH
C3036		NCB21HK-103X	CAPACITOR 0.01μF,50V	L6001		QQL29BK-1R0Z	COIL 1μH
C3037		NDC21HJ-181X	CAPACITOR 180pF,50V	L6003		QUY153-050Y	IM BUS WIRE
C3038		NCB21CK-105X	CAPACITOR 1μF,16V	L6032		QUY153-050Y	IM BUS WIRE
C3039		NCB21HK-102X	CAPACITOR 0.001μF,50V	L6050		QUY153-050Y	IM BUS WIRE
C3040		NCB21HK-561X	CAPACITOR 560pF,50V	X2		QAX0575-001	CRYSTAL RESONATOR
C3041		QEKJ1HM-105	E CAPACITOR 1μF,50V	X3001		QAX0320-001	CRYSTAL RESONATOR
C3042		QCSB1HJ-330	CAPACITOR 33pF,50V	X3002		QAX0444-001	CRYSTAL RESONATOR
C3053		NCB21CK-474X	CAPACITOR 0.47μF,16V	S3001		PESW0589	PUSH SWITCH,REC SAFETY
C3055		QETL0JM-338	E CAPACITOR 3300μF,6.3V	S3002		PESW0674	PUSH SWITCH,CASSETTE SW
C4001		NCB21EK-104X	CAPACITOR 0.1μF,25V	K2251		NRSA02J-0R0X	MG RESISTOR 0Ω,1/10W
C4002		QEKJ1HM-474	E CAPACITOR 0.47μF,50V	K2252		NRSA02J-0R0X	MG RESISTOR 0Ω,1/10W
C4004		QEKJ0JM-226	E CAPACITOR 22μF,6.3V	K2253		NRSA02J-0R0X	MG RESISTOR 0Ω,1/10W
C4007		NCB21HK-273X	CAPACITOR 0.027μF,50V	PS3001		SG-246	IC(PHOTO SENSOR)
C4009		NCB21HK-102X	CAPACITOR 0.001μF,50V	PS3002		SG-246	IC(PHOTO SENSOR)
C4010		QEKJ0JM-476	E CAPACITOR 47μF,6.3V	T2051		PELN0832	OSC TRANSFORMER
C4011		NCB21EK-224X	CAPACITOR 0.22μF,25V	TU6001		QAU0163-001	TUNER
C4012		NCB21EK-563X	CAPACITOR 0.056μF,25V	TB1		LP20987-002A	TERMINAL BOARD
C4013		NCB21HK-102X	CAPACITOR 0.001μF,50V	ET1		PQ21623-1-5	EARTH PLATE(RF)
C4014		NDC21HJ-101X	CAPACITOR 100pF,50V	SD1		LP30776-001A	SHIELD CASE
C4015		NDC21HJ-101X	CAPACITOR 100pF,50V	OT1		PU59915-107	#500SPACER0.007,X3002
C4016		QEKJ0JM-476	E CAPACITOR 47μF,6.3V	J7103		QNN0356-001	PIN JACK,REAR OUT
C4017		NCB21HK-103X	CAPACITOR 0.01μF,50V	J7104		QNN0355-001	PIN JACK,REAR IN
C4019		NCB21EK-104X	CAPACITOR 0.1μF,25V	CN1		QGF1028C1-11	FPC CONNECTOR,(1-11)U.DRUM
C4020		QEKJ1CM-336	E CAPACITOR 33μF,16V	CN2001		QGD2001C1-07	CONNECTOR,(1-7)A/C HEAD
C6007		QEMT1AM-128	E CAPACITOR 1200μF,10V	CN2002		QUM032-12A4BF	PARA RIBON WIRE,FE HEAD
C6031		QEKJ1EM-106	E CAPACITOR 10μF,25V	CN3001		QGB2002L1-08	CONNECTOR,(1-8)CAPSTAN MOTOR
C6501		QEKJ1CM-226	E CAPACITOR 22μF,16V	CN3002		QGF1207C1-05	FPC CONNECTOR,(1-5)DRUM MDA
C6502		NCB21EK-104X	CAPACITOR 0.1μF,25V	CN3003		QGD2001C1-02	CONNECTOR,(1-2)LOADING MOTOR
C6503		QEKJ1HM-105	E CAPACITOR 1μF,50V	CN3004		PU61434-1-1	CONNECTOR,(1-5)ROTARY ENCODER
C6504		QEKJ1HM-475	E CAPACITOR 4.7μF,50V	CN3006		QGF1201F1-07	FPC CONNECTOR,(1-7)FRONT
C6505		QEKJ1EM-106	E CAPACITOR 10μF,25V	CN5003		QGD2503C1-11	CONNECTOR,(1-11)REG
C6506		QEKJ1HM-104	E CAPACITOR 0.1μF,50V	△ CP3001		ICP-N25	CIRCUIT PROTECTOR
C6507		NCB21EK-473X	CAPACITOR 0.047μF,25V	△ CP4101		ICP-N15	CIRCUIT PROTECTOR

▲ REF No. PART No. PART NAME, DESCRIPTION

A/C HEAD BOARD ASSEMBLY <12>

PW1	PB10916A-04	A/C HEAD BOARD ASSY
CN1	QGD2001F1-07	CONNECTOR

DISP/OPE BOARD ASSEMBLY <28>

PW1	LPA10132-01A1	DISP/OPE BOARD ASSY	
IC7001	LC75893M-XE	IC	
IC7002	PNA4652M00XB	IR DETECT UNIT	
	or GP1U281X	IR DETECT UNIT	
Q7001	2SC3616/MLK/-T	TRANSISTOR	
Q7002	2SC3616/MLK/-T	TRANSISTOR	
Q7003	2SC3616/MLK/-T	TRANSISTOR	
R7001	NRSA02J-471X	MG RESISTOR	470Ω,1/10W
R7002	NRSA02J-471X	MG RESISTOR	470Ω,1/10W
R7003	NRSA02J-471X	MG RESISTOR	470Ω,1/10W
R7004	NRSA02J-471X	MG RESISTOR	470Ω,1/10W
R7005	QRE141J-103Y	RESISTOR	10kΩ,1/4W
R7006	QRE141J-103Y	RESISTOR	10kΩ,1/4W
R7007	QRE141J-103Y	RESISTOR	10kΩ,1/4W
R7008	QRE141J-103Y	RESISTOR	10kΩ,1/4W
R7009	QRE141J-103Y	RESISTOR	10kΩ,1/4W
R7010	QRE141J-103Y	RESISTOR	10kΩ,1/4W
R7011	NRSA02J-103X	MG RESISTOR	10kΩ,1/10W
R7014	QUY153-050Y	IM BUS WIRE	
R7015	QUY153-050Y	IM BUS WIRE	
R7017	QRE141J-103Y	RESISTOR	10kΩ,1/4W
R7018	NRSA02J-683X	MG RESISTOR	68kΩ,1/10W
R7020	NRSA02J-222X	MG RESISTOR	2.2kΩ,1/10W
R7021	NRSA02J-222X	MG RESISTOR	2.2kΩ,1/10W
R7022	NRSA02J-222X	MG RESISTOR	2.2kΩ,1/10W
R7023	NRSA02J-472X	MG RESISTOR	4.7kΩ,1/10W
R7024	NRSA02J-472X	MG RESISTOR	4.7kΩ,1/10W
R7025	NRSA02J-472X	MG RESISTOR	4.7kΩ,1/10W
R7026	QRL01DJ-181X	OMF RESISTOR	180Ω,1W
R7027	QRL01DJ-180X	OMF RESISTOR	18Ω,1W
R7028	QRL01DJ-101X	OMF RESISTOR	100Ω,1W
C7003	NCB21EK-104X	CAPACITOR	0.1μF,25V
C7004	NCB21EK-104X	CAPACITOR	0.1μF,25V
C7005	NCB21EK-104X	CAPACITOR	0.1μF,25V
C7007	QETN1HM-476	E CAPACITOR	47μF,50V
C7009	NDC21HJ-821X	CAPACITOR	820pF,50V
C7011	QETN1HM-476	E CAPACITOR	47μF,50V
C7013	NCB21EK-103X	CAPACITOR	0.01μF,25V
C7014	NCB21EK-103X	CAPACITOR	0.01μF,25V
C7015	NCB21EK-103X	CAPACITOR	0.01μF,25V
S7001	QSW0551-001Z	TACT SWITCH,POWER	
S7002	QSW0551-001Z	TACT SWITCH,STOP/EJECT	
S7003	QSW0551-001Z	TACT SWITCH,PLAY	
S7004	QSW0551-001Z	TACT SWITCH,REW	
S7005	QSW0551-001Z	TACT SWITCH,FF	
S7006	QSW0551-001Z	TACT SWITCH,REC	
S7007	QSW0551-001Z	TACT SWITCH,PAUSE	

▲ REF No. PART No. PART NAME, DESCRIPTION

DI7001	QLD0151-001	LCD MODULE
HD1	LP20988-001B	LCD HOLDER,DI7001
FW7002	QUM023-08A4A4	PARA RIBBON WIRE
OT1	LP30790-001A	PRIZM,DI7001
CN7001	QGF1201C1-07	FPC CONNECTOR,(1-7)MAIN

LED BOARD ASSEMBLY <90>

PW2	LPA10132-01A2	LED BOARD ASSY
D7001	SLP-5121D-57-T	LE DIODE
D7002	SLP-5121D-57-T	LE DIODE
D7003	SLP-5121D-57-T	LE DIODE